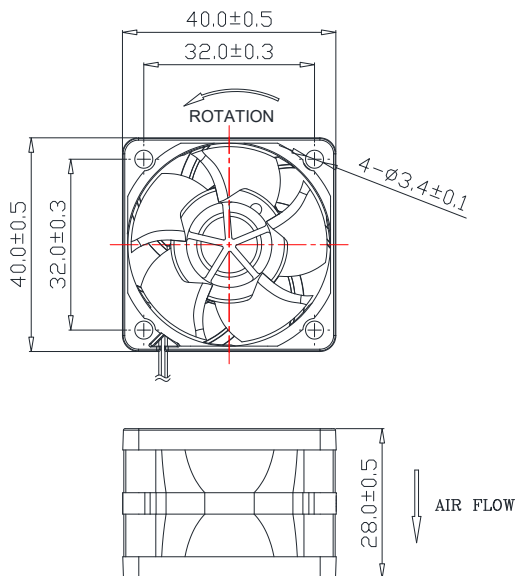
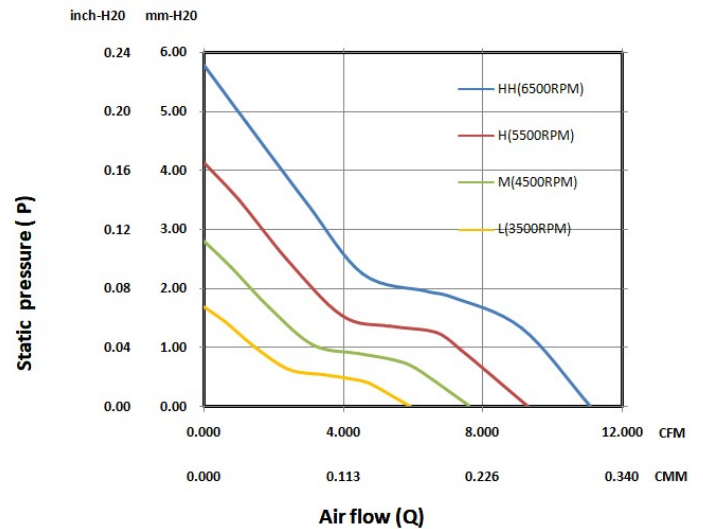


**40 x 40 x 28 mm Series**
**Rev. I**
**Dimensions**

**Performance Curve**

**General Specification**

Frame	PBT 94V-0
Impeller	PBT 94V-0
Lead Wire	UL1007 26AWG
Storage Temperature	-20°C ~ 80°C
Operating Temperature	-10°C ~ 75°C
Mass	30 gram

**Bearing Type**

<input checked="" type="radio"/> CeraDyna A	<input checked="" type="radio"/> Auto Restart
<input type="radio"/> CeraDyna C	<input checked="" type="radio"/> Frequency Generator
<input checked="" type="radio"/> Ball Bearing	<input type="radio"/> Rotation Detect
<input checked="" type="radio"/> Sleeve Bearing	<input type="radio"/> Temperature Control
<input type="radio"/> Fluid Dynamic Bearing	<input type="radio"/> PWM Control

**Function Options**

\*Air exhaust over struts. Rotational direction CCW looking at rotor

\*The motor is with electronic protection against reverse polarity. The motor only operates when the polarity is correct.

**Specifications**

Model No.	Rated Voltage (V)	Rated Current (A)	Input Power (W)	Nominal Speed (RPM)	Airflow (CFM)	Static Pressure (Inch-H2O)	SPL (dB A)
FD0540-X00XXM	5	0.33	1.65	6500	11.07	0.23	34.8
FD0540-X10XXM	5	0.25	1.25	5500	9.28	0.16	29.9
FD0540-X20XXM	5	0.17	0.85	4500	7.58	0.11	26.1
FD0540-X30XXM	5	0.11	0.55	3500	5.9	0.07	22.0

\*All readings are typical value at rated voltage.

\*Please refer to **PART NUMBER SYSTEM** for bearing type and part number "XX" designation.

\*Please specify revision number when ordering.