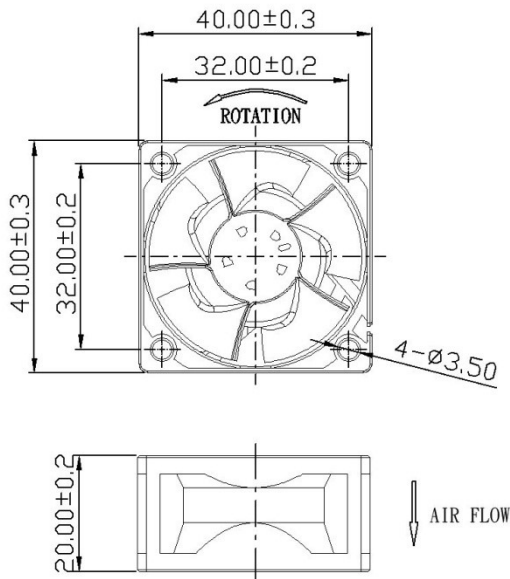
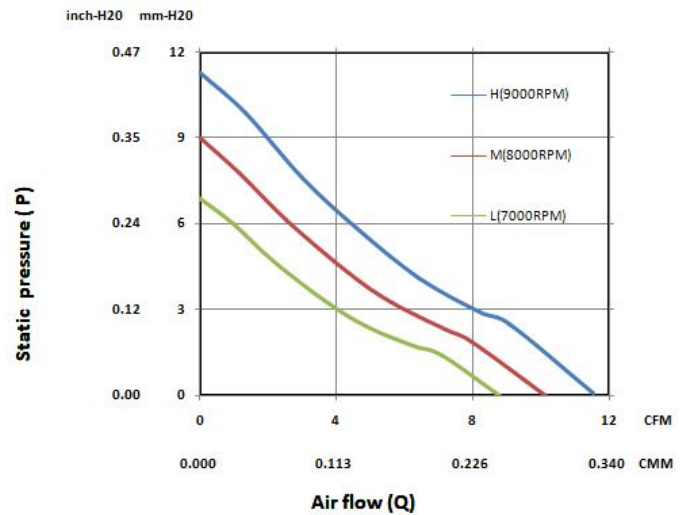


40 x 40 x 20 mm Series
Rev. III
Dimensions

Performance Curve

General Specification

Frame	PBT 94V-0
Impeller	PBT 94V-0
Lead Wire	UL1007 28AWG
Storage Temperature	-20°C ~ 80°C
Operating Temperature	-10°C ~ 75°C
Mass	28 gram

Bearing Type

- CeraDyna A
- CeraDyna C
- Ball Bearing
- Sleeve Bearing
- Fluid Dynamic Bearing

Function Options

- Auto Restart
- Frequency Generator
- Rotation Detect
- Temperature Control
- PWM Control

*Air exhaust over struts. Rotational direction CCW looking at rotor

*The motor is with electronic protection against reverse polarity. The motor only operates when the polarity is correct.

Specifications

Model No.	Rated Voltage (V)	Rated Current (A)	Input Power (W)	Nominal Speed (RPM)	Airflow (CFM)	Static Pressure (Inch-H2O)	SPL (dB A)
FD1240-X12XXD	12	0.16	1.92	9000	11.53	0.45	38.6
FD1240-X22XXD	12	0.12	1.44	8000	10.15	0.36	35.5
FD1240-X32XXD	12	0.1	1.2	7000	8.78	0.27	31.2

*All readings are typical value at rated voltage.

*Please refer to **PART NUMBER SYSTEM** for bearing type and part number "XX" designation.

*Please specify revision number when ordering.