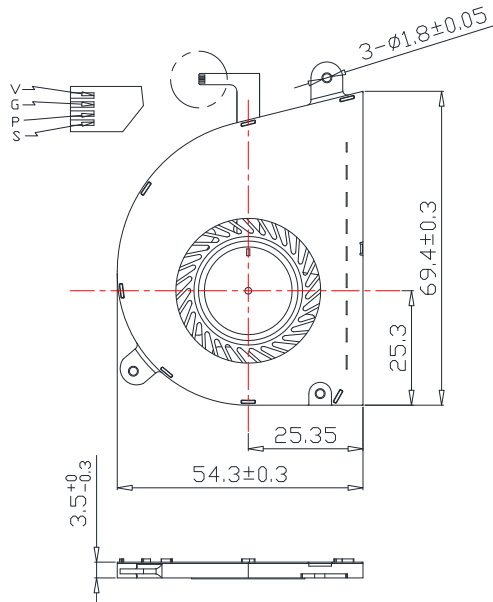
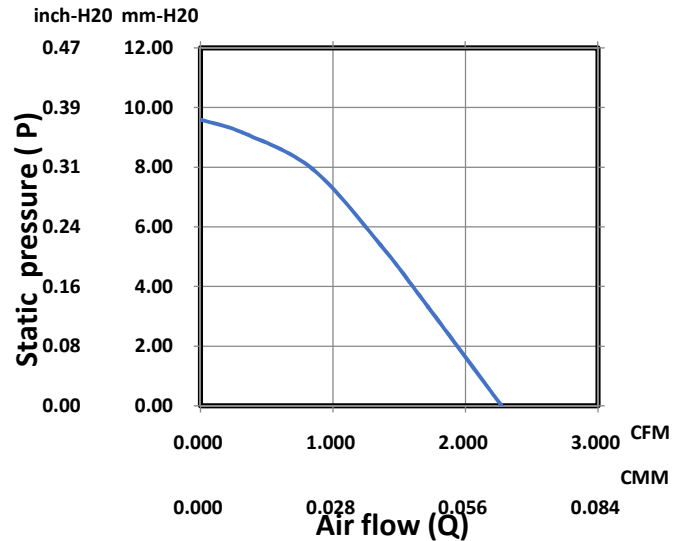


70 x 55 x 3.5 mm Series
Rev. I
Dimensions

Performance Curve

General Specification

Frame	PBT 94V-0
Impeller	PBT 94V-0
Lead Wire	FPC
Storage Temperature	-20°C ~ 80°C
Operating Temperature	-10°C ~ 75°C
Mass	18.6 gram

Bearing Type

<input type="radio"/> CeraDyna A	<input checked="" type="radio"/> Auto Restart
<input type="radio"/> CeraDyna C	<input checked="" type="radio"/> Frequency Generator
<input type="radio"/> Ball Bearing	<input type="radio"/> Rotation Detect
<input type="radio"/> Sleeve Bearing	<input type="radio"/> Temperature Control
<input checked="" type="radio"/> Fluid Dynamic Bearing	<input checked="" type="radio"/> PWM Control

Function Options

*Air exhaust over struts. Rotational direction CW looking at rotor

*The motor is with electronic protection against reverse polarity. The motor only operates when the polarity is correct.

Specifications

Model No.	Rated Voltage (V)	Rated Current (A)	Input Power (W)	Nominal Speed (RPM)	Airflow (CFM)	Static Pressure (Inch-H2O)	SPL (dB A)
FN0570-SP0XXR	5	0.42	2.1	7500	2.27	0.38	32.5

*All readings are typical value at rated voltage.

*Please refer to **PART NUMBER SYSTEM** for bearing type and part number "XX" designation.

*Please specify revision number when ordering.