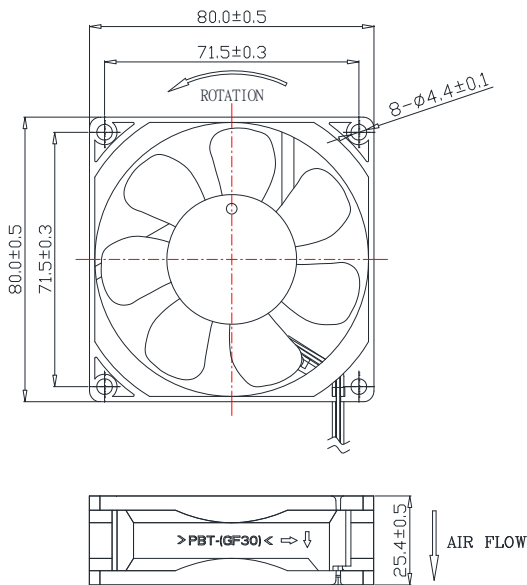


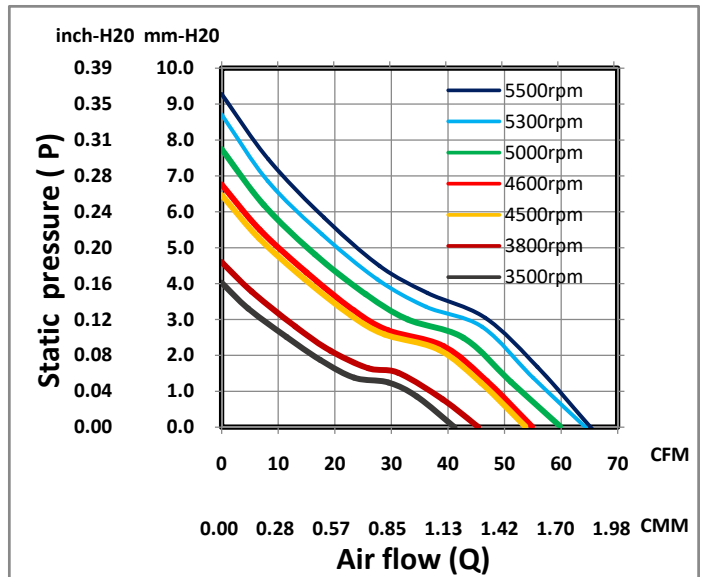
80 x 80 x 25 mm Series

Rev. III

Dimensions



Performance Curve



General Specification	
Frame	PBT 94V-0
Impeller	PBT 94V-0
Lead Wire	UL1007 24AWG
Storage Temperature	-20°C ~ 80°C
Operating Temperature	-10°C ~ 75°C
Mass	70 gram

Bearing Type	Function Options
<input checked="" type="radio"/> CeraDyna A	<input checked="" type="radio"/> Auto Restart
<input type="radio"/> CeraDyna C	<input checked="" type="radio"/> Frequency Generator
<input checked="" type="radio"/> Ball Bearing	<input type="radio"/> Rotation Detect
<input type="radio"/> Sleeve Bearing	<input type="radio"/> Temperature Control
<input type="radio"/> Fluid Dynamic Bearing	<input checked="" type="radio"/> PWM Control

*Air exhaust over struts. Rotational direction CCW looking at rotor

*The motor is with electronic protection against reverse polarity. The motor only operates when the polarity is correct.

Specifications

Model No.	Rated Voltage (V)	Rated Current (A)	Input Power (W)	Nominal Speed (RPM)	Airflow (CFM)	Static Pressure (Inch-H2O)	SPL (dB A)
FD1280-X12XXE	12	0.5	6.00	5300	64.37	0.34	48.1
FD1280-X12XXE	12	0.36	4.32	4600	54.86	0.27	43.2
FD1280-X12XXE	12	0.23	2.76	3800	45.32	0.18	37.6
FD2480-X02XXE	24	0.23	5.52	5500	65.46	0.37	48.9
FD2480-X12XXE	24	0.18	4.32	5000	59.80	0.30	45.6
FD2480-X22XXE	24	0.13	3.12	4500	53.67	0.25	42.7
FD2480-X32XXE	24	0.08	1.92	3500	41.16	0.16	35.8

*All readings are typical value at rated voltage.

*Please refer to **PART NUMBER SYSTEM** for bearing type and part number "XX" designation.

*Please specify revision number when ordering.