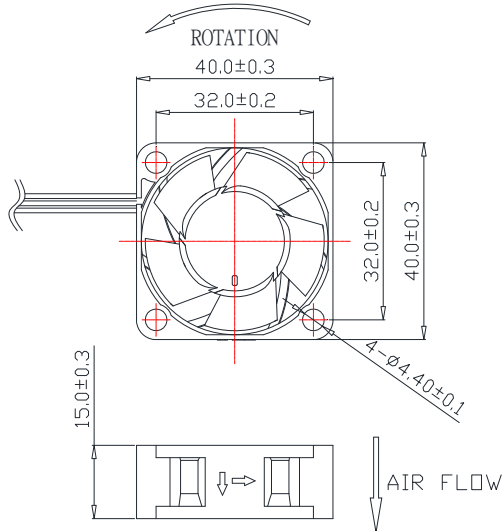


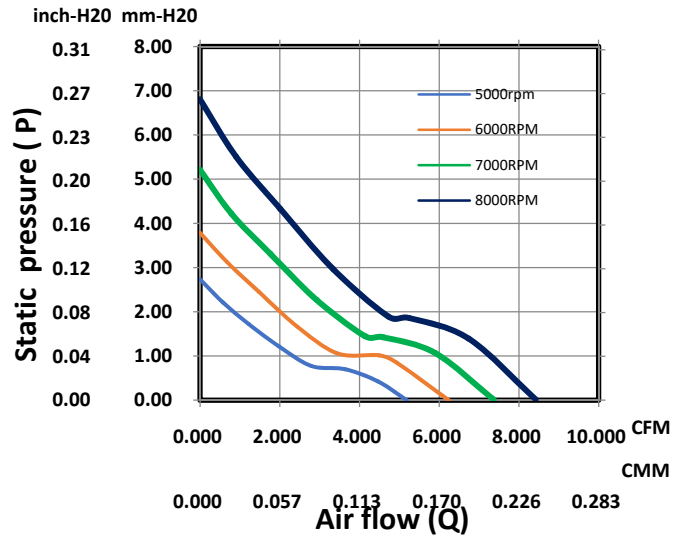
**40 x 40 x 15 mm Series**

**Rev. I**

**Dimensions**



**Performance Curve**



General Specification	
Frame	PBT 94V-0
Impeller	PBT 94V-0
Lead Wire	UL1007 26AWG
Storage Temperature	-40°C ~ 80°C
Operating Temperature	-10°C ~ 75°C
Mass	21 gram

Bearing Type	Function Options
<input type="radio"/> CeraDyna A	<input checked="" type="radio"/> Auto Restart
<input type="radio"/> CeraDyna C	<input checked="" type="radio"/> Frequency Generator
<input checked="" type="radio"/> Ball Bearing	<input checked="" type="radio"/> Rotation Detect
<input checked="" type="radio"/> Sleeve Bearing	<input checked="" type="radio"/> Temperature Control
<input type="radio"/> Fluid Dynamic Bearing	<input checked="" type="radio"/> PWM Control

\*Air exhaust over struts. Rotational direction CCW looking at rotor

\*The motor is with electronic protection against reverse polarity. The motor only operates when the polarity is correct.

**Specifications**

Model No.	Rated Voltage (V)	Rated Current (A)	Input Power (W)	Nominal Speed (RPM)	Airflow (CFM)	Static Pressure (Inch-H2O)	SPL (dB A)
FD1240-X00XXC	12.0	0.10	1.20	8000	8.42	0.27	32.5
FD1240-X10XXC	12.0	0.08	0.96	7000	7.36	0.21	29.0
FD1240-X20XXC	12.0	0.06	0.72	6000	6.24	0.15	26.0
FD1240-X30XXC	12.0	0.04	0.48	5000	5.19	0.12	21.5

\*All readings are typical value at rated voltage.

\*Please refer to **PART NUMBER SYSTEM** for bearing type and part number "XX" designation.

\*Please specify revision number when ordering.