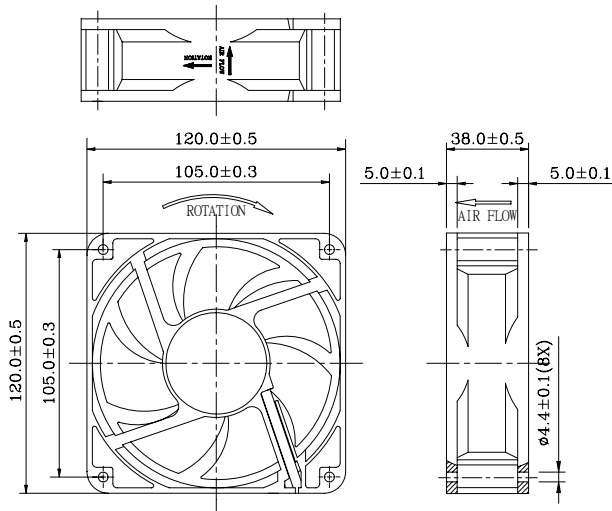




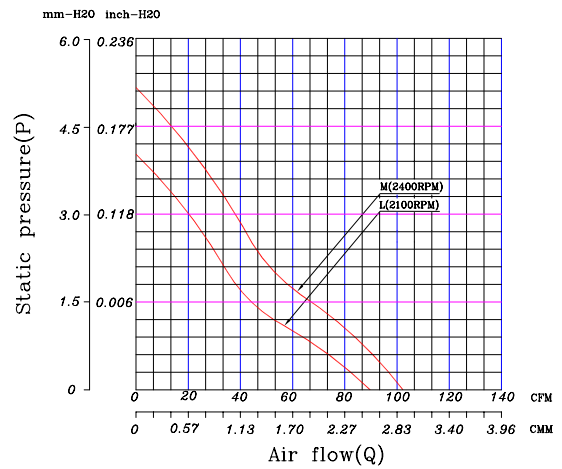
**120 x 120 x 38 mm Series**

**Rev I**

**Dimensions**



**Performance Curves**



Air exhaust over struts. Rotational direction CCW looking at rotor

Brushless DC Motor	Bearing Type
Housing: PBT 94V0	● CeraDyna A
Impeller: PBT 94V0	○ CeraDyna C
Weight: 265 g	● 2-Ball
Impedance protected	○ 1-Ball-1-Sleeve
Lead wire UL 1095 AWG 28	● Sleeve

Function options	
● Frequency Generator	● Auto Restart
● Temperature Control	● Rotation Detection
○ PWM Control	

\* Safety Approval: CE, UL, TUV

\* All fans are with electronic protection against reverse polarity. The fan only operates when the polarity is correct.

**Specifications**

Model	Rated Voltage (VDC)	Rated Current (Amp)	Input Power (Watts)	Nominal Speed (RPM)	Airflow (CFM)	Static Pressure (inch-H <sub>2</sub> O)	Noise Level (dBA)
FD1212-A20XXG	12	0.35	4.20	2400	102.27	0.20	42.80
FD1212-A30XXG	12	0.25	3.00	2100	89.70	0.16	40.00
FD2412-A20XXG	24	0.22	5.28	2400	102.27	0.20	42.80
FD2412-A30XXG	24	0.16	3.84	2100	89.70	0.16	40.00
FD4812-A20XXG	48	0.14	6.72	2400	102.27	0.20	42.80
FD4812-A30XXG	48	0.10	4.80	2100	89.70	0.16	40.00

\* All readings are typical value at rated voltage.

\* Please refer to **PART NUMBER SYSTEM** for bearing type and part number "XX" designation.

\* Specifications are subject to change without prior notice.

\* Please specify revision number when ordering.