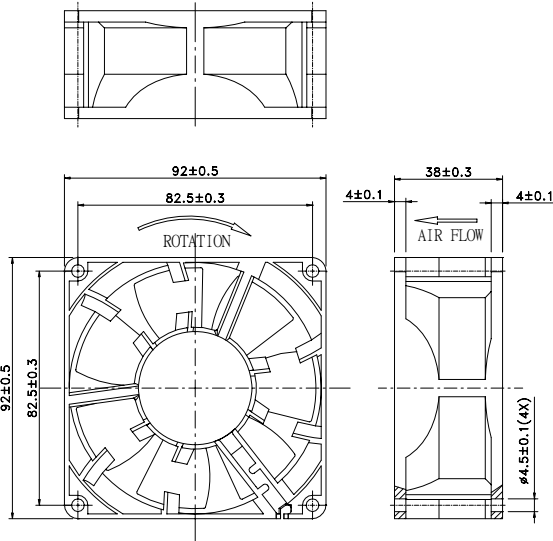
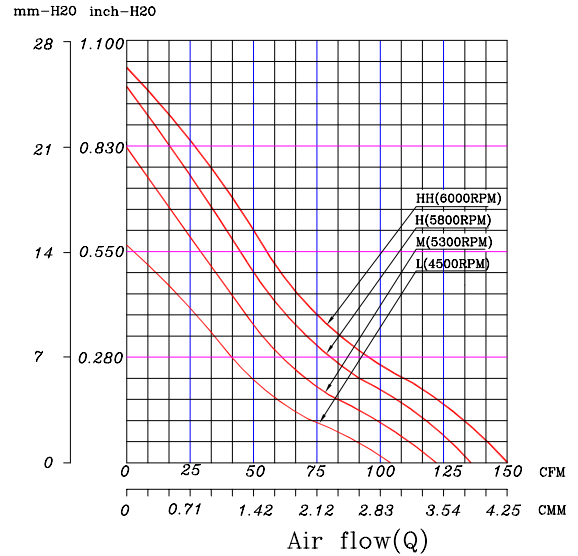



92 x 92 x 38 mm Series
Rev II -24VDC
Dimensions

Performance Curves


Air exhaust over struts. Rotational direction CCW looking at rotor

Brushless DC Motor	Bearing Type	Function options	
Housing: PBT 94V0	<input type="radio"/> CeraDyna A	<input checked="" type="radio"/> Frequency Generator	<input checked="" type="radio"/> Auto Restart
Impeller: PBT 94V0	<input type="radio"/> CeraDyna C	<input checked="" type="radio"/> Temperature Control	<input checked="" type="radio"/> Rotation Detection
Weight: 184 g	<input checked="" type="radio"/> 2-Ball	<input checked="" type="radio"/> PWM Control	
Impedance protected	<input type="radio"/> 1-Ball-1-Sleeve		
Lead wire UL 1095 AWG 28	<input type="radio"/> Sleeve		

* Safety Approval: CE, UL, TUV

* All fans are with electronic protection against reverse polarity. The fan only operates when the polarity is correct.

Specifications

Model	Rated Voltage (VDC)	Rated Current (Amp)	Input Power (Watts)	Nominal Speed (RPM)	Airflow (CFM)	Static Pressure (inch-H ₂ O)	Noise Level (dBA)
FD2490-AP18XG	24	0.96	23.04	1300-6100	150.27	1.03	61.00
FD2490-A11XXG	24	0.96	23.04	6100	150.27	1.03	61.00
FD2490-A21XXG	24	0.86	20.64	5800	135.85	0.98	59.80
FD2490-A31XXG	24	0.68	16.32	5300	122.18	0.92	56.80
FD2490-A31XXG	24	0.42	10.08	4500	104.07	0.58	49.80

* All readings are typical value at rated voltage.

 * Please refer to **PART NUMBER SYSTEM** for bearing type and part number "XX" designation.

* Specifications are subject to change without prior notice.

* Please specify revision number when ordering.