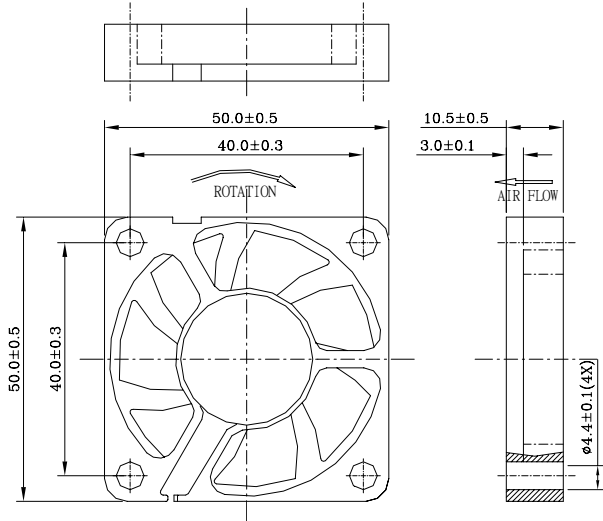




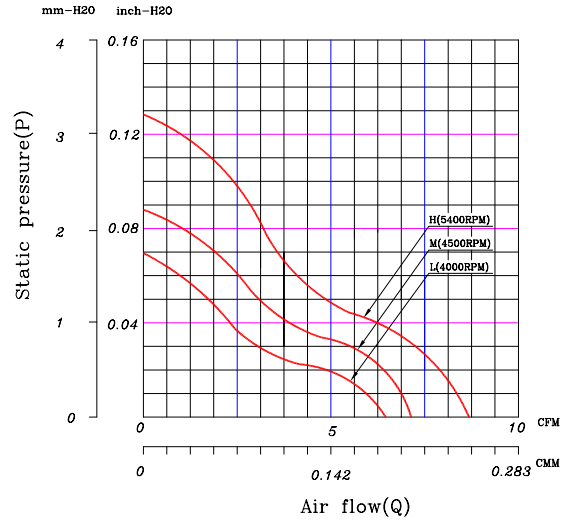
**50 x 50 x 10 mm Series**

**Rev II**

**Dimensions**



**Performance Curves**



Air exhaust over struts. Rotational direction CCW looking at rotor

Brushless DC Motor	Bearing Type
Housing: PBT 94V0	● CeraDyna A
Impeller: PBT 94V0	● CeraDyna C
Weight: 18 g	● 2-Ball
Impedance protected	○ 1-Ball-1-Sleeve
Lead wire UL 1095 AWG 28	● Sleeve

Function options	
● Frequency Generator	● Auto Restart
○ Temperature Control	● Rotation Detection
○ PWM Control	

\* Safety Approval: CE, UL, TUV

\* All fans are with electronic protection against reverse polarity. The fan only operates when the polarity is correct.

**Specifications**

Model	Rated Voltage (VDC)	Rated Current (Amp)	Input Power (Watts)	Nominal Speed (RPM)	Airflow (CFM)	Static Pressure (inch-H <sub>2</sub> O)	Noise Level (dBA)
FD0550-A10XXA	5	0.11	0.55	5400	8.68	0.13	33.00
FD0550-A20XXA	5	0.08	0.40	4500	7.14	0.09	28.50
FD0550-A30XXA	5	0.06	0.30	4000	6.46	0.07	25.00
FD1250-A10XXA	12	0.12	1.44	5400	8.68	0.13	33.00
FD1250-A20XXA	12	0.08	0.96	4500	7.14	0.09	28.50
FD1250-A30XXA	12	0.07	0.84	4000	6.46	0.07	25.00

\*All readings are typical value at rated voltage.

\*Please refer to **PART NUMBER SYSTEM** for bearing type and part number "XX" designation.

\*Specifications are subject to change without prior notice.

\*Please specify revision number when ordering.