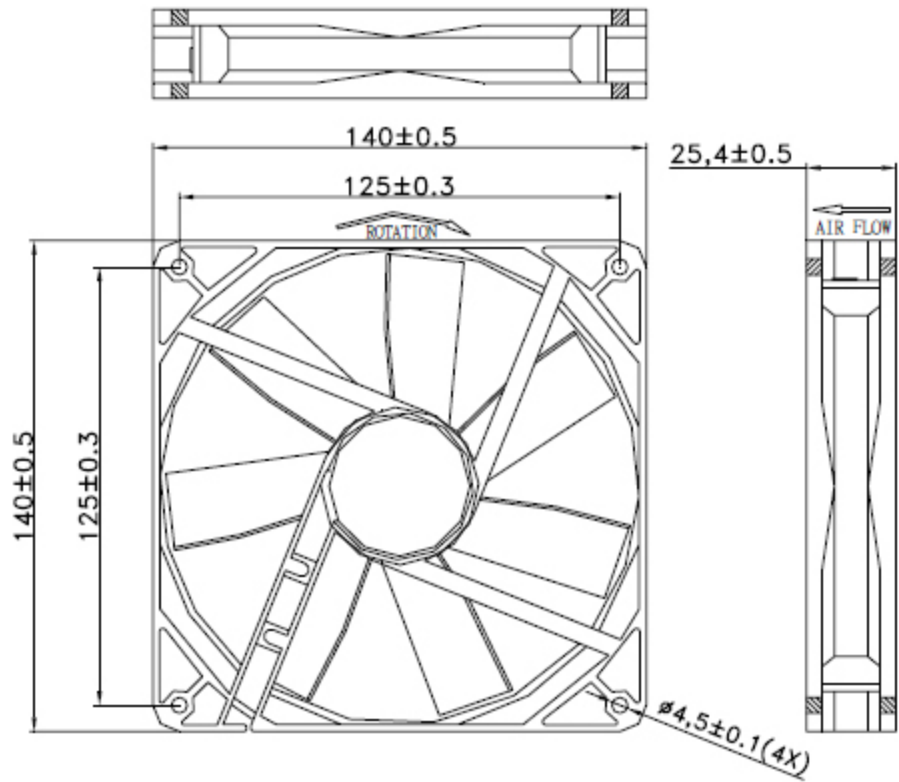
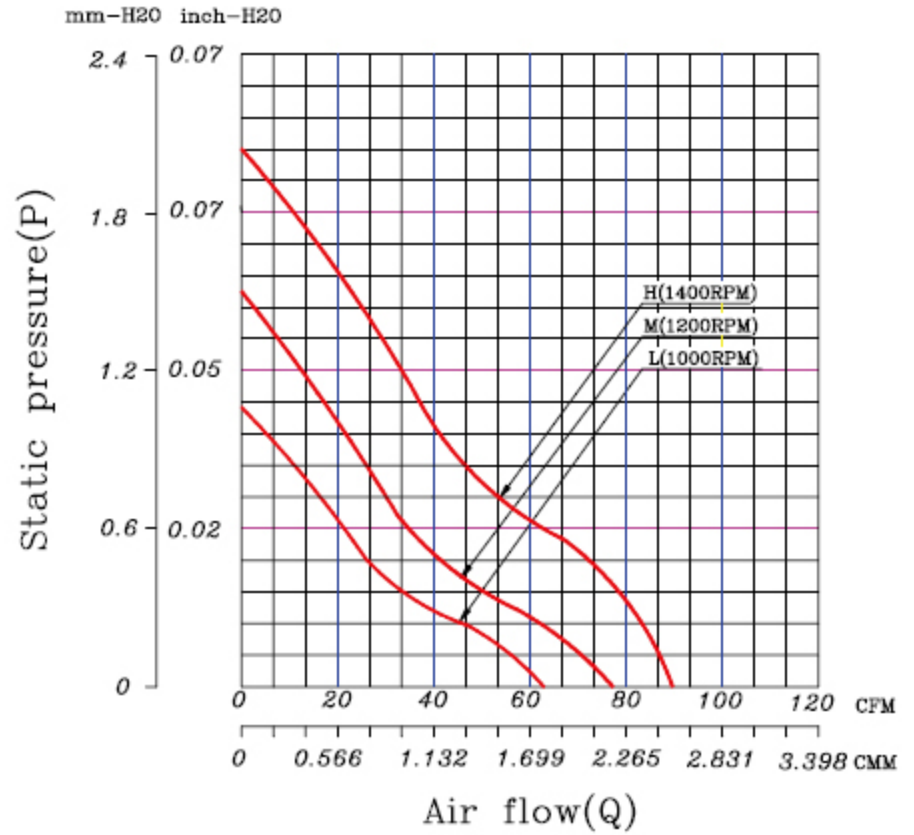


140 x 140 x 25 mm Series

Dimensions



Performance Curves



Air exhaust over struts. Rotational direction CCW looking at rotor

| Brushless DC Motor | Bearing Type |
|--------------------------|---|
| Housing: PBT 94V0 | ● CeraDyna A |
| Impeller: PBT 94V0 | ● 2-Ball |
| Weight: 150 g | ● 1-Ball-1-Sleeve |
| Impedance protected | ● Sleeve |
| Lead wire UL 1007 AWG 24 | *Please contact us for CeraDyna-C availability. |

| Function options | |
|-----------------------|----------------------|
| ● Frequency Generator | ● Auto Restart |
| ○ Temperature Control | ○ Rotation Detection |

* Please contact us for PWM function availability.

* **Safety Approval: CE, UL, TUV**

*All fans are with electronic protection against reverse polarity. The fan only operates when the polarity is correct.

Specifications

| Model | Rated Voltage (VDC) | Rated Current (Amp) | Input Power (Watts) | Nominal Speed (RPM) | Airflow (CFM) | Static Pressure (inch-H2O) | Noise Level (dBA) |
|---------------|---------------------|---------------------|---------------------|---------------------|---------------|----------------------------|-------------------|
| FD1214-A10XXE | 12 | 0.32 | 3.84 | 1400 | 88.55 | 0.08 | 34.80 |
| FD1214-A20XXE | 12 | 0.20 | 2.40 | 1200 | 75.90 | 0.06 | 31.50 |
| FD1214-A30XXE | 12 | 0.12 | 1.44 | 1000 | 62.09 | 0.04 | 27.50 |
| | | | | | | | |
| | | | | | | | |
| | | | | | | | |
| | | | | | | | |

*All readings are typical value at rated voltage.

*Please refer to **PART NUMBER SYSTEM** for bearing type and part number "XX" designation.

*Specifications are subject to change without prior notice.

*Please specify revision number when ordering.