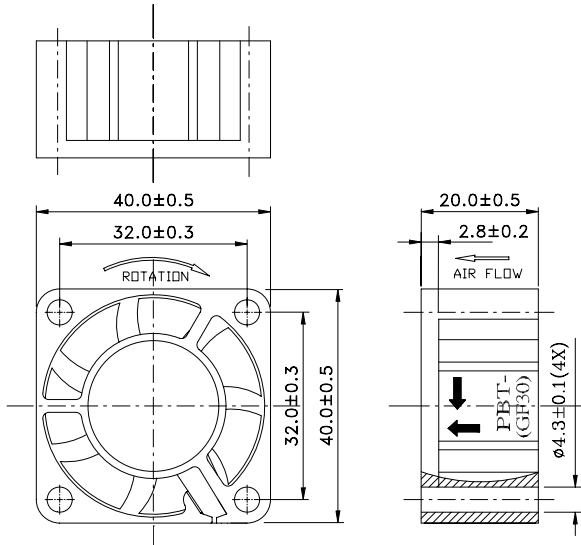




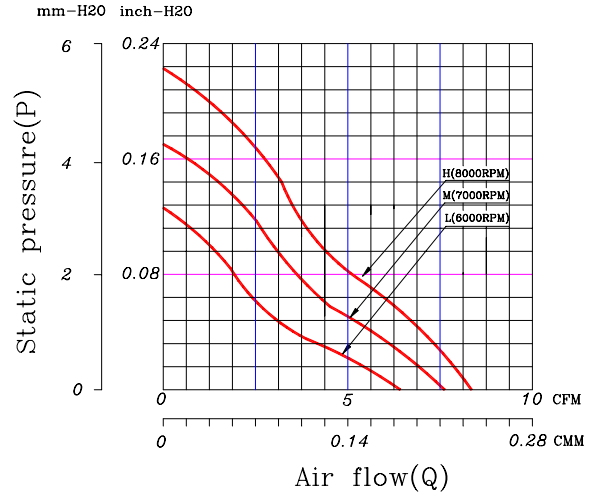
**40 x 40 x 20 mm Series**

**Rev I -12/24 VDC**

**Dimensions**



**Performance Curves**



Air exhaust over struts. Rotational direction CCW looking at rotor

Brushless DC Motor	Bearing Type
Housing: PBT 94V0	● CeraDyna A
Impeller: PBT 94V0	● CeraDyna C
Weight: 25g	● 2-Ball
Impedance protected	● 1-Ball-1-Sleeve
Lead wire UL 1095 AWG 28	● Sleeve

Function options	
● Frequency Generator	● Auto Restart
○ Temperature Control	● Rotation Detection
○ PWM Control	

\* Safety Approval: CE, UL, TUV

\* All fans are with electronic protection against reverse polarity. The fan only operates when the polarity is correct.

**Specifications**

Model	Rated Voltage (VDC)	Rated Current (Amp)	Input Power (Watts)	Nominal Speed (RPM)	Airflow (CFM)	Static Pressure (inch-H <sub>2</sub> O)	Noise Level (dBA)
FD1240-A10XXD	12	0.18	2.16	8000	8.38	0.22	34.00
FD1240-A20XXD	12	0.15	1.80	7000	7.32	0.17	29.50
FD1240-A30XXD	12	0.12	1.44	6000	6.28	0.12	25.50
FD2440-A10XXD	24	0.12	2.88	8000	8.38	0.22	34.00
FD2440-A20XXD	24	0.10	2.40	7000	7.32	0.17	29.50
FD2440-A30XXD	24	0.08	1.92	6000	6.28	0.12	25.50

\*All readings are typical value at rated voltage.

\*Please refer to **PART NUMBER SYSTEM** for bearing type and part number "XX" designation.

\*Specifications are subject to change without prior notice.

\*Please specify revision number when ordering.